

GREAT SEQUOIA CORP.

3F, NO. 57, FU-HSING NORTH ROAD, TAIPEI, TAIWAN

TEL: 886-2--2771-0164

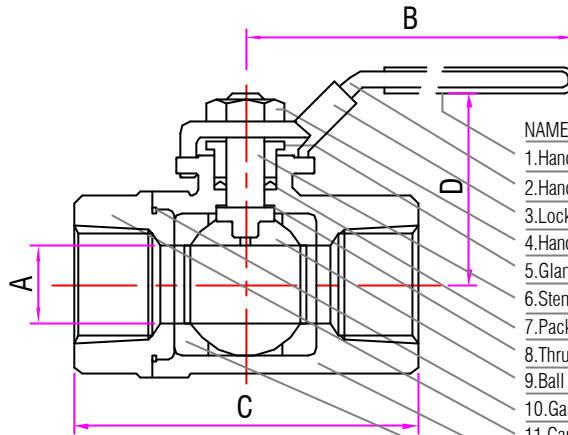
FAX: 886-2--2773-3342

Website: www.sequoia.com.tw

E-MAIL: sequoia@ms10.hinet.net

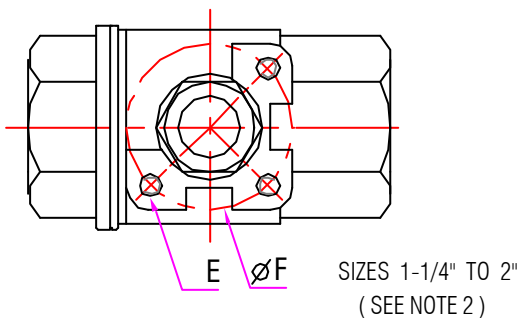
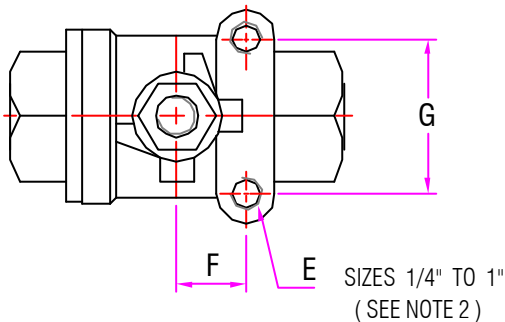
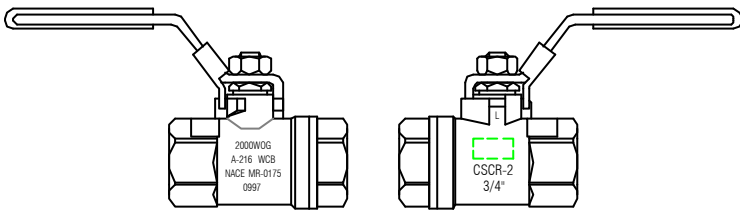
CSCR-2

- LARGE PORT
- NPT THREADS TO ANSI B1.20.1
- 2 PIECE BODY
- BLOWOUT-PROOF STEM
- ADJUSTABLE PACKING GLAND
- LOCKING LEVER HANDLE
- ACTUATOR MOUNTING PAD
- 2000 P.S.I. W.O.G. 1/4"-2"



NAME / MATERIAL

- 1.Handle Grip / Vinyl
- 2.Handle / S.S.304-A276
- 3.Locking Device / S.S.304-A276
- 4.Handle Nut / C.S.Plated
- 5.Gland / C.S.A108
- 6.Stem / S.S. 316-A276
- 7.Packing / PTFE
- 8.Thrust Washer / Reinforced Teflon 15% GFT
- 9.Ball / S.S. 316-A276
- 10.Gasket / PTFE
- 11.Cap / A216 WCB
- 12.Body / A216 WCB
- 13.Seat / Reinforced Teflon 15% GFT

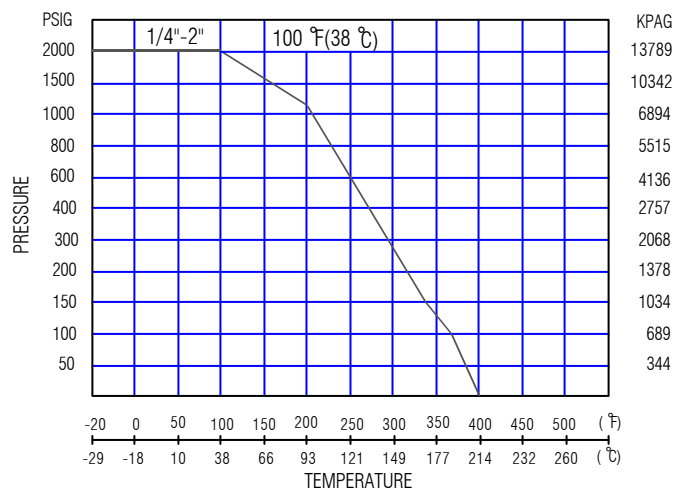


DIMENSIONS										
SIZE	(mm/in)		(mm/in)		(mm/in)		(mm/in)		CV FACTOR	WEIGHTS KGS/LBS
	A	B	C	D	E	F	G			
8 1/4"	11	103.5	58.5	54	M6	12.7	28.45	8	0.347	
	0.433	4.075	2.303	2.13		0.5	1.12		0.763	
10 3/8"	12.5	103.5	58.5	54	M6	12.7	28.45	10	0.331	
	0.492	4.075	2.303	2.13		0.5	1.12		0.728	
15 1/2"	12.5	103.5	61.5	57	M6	12.7	28.45	15	0.314	
	0.492	4.075	2.421	2.24		0.5	1.12		0.691	
20 3/4"	17.5	125	79.5	65.5	M6	22.1	34.8	30	0.602	
	0.689	4.921	3.130	2.58		0.87	1.37		1.324	
25 1"	20.6	125	88.5	69.5	M6	22.1	34.8	40	0.781	
	0.866	4.921	3.484	2.74		0.87	1.37		1.718	
32 1-1/4"	25	193	102	88.5	M8	50		48	1.477	
	0.964	7.598	4.016	3.484		1.968			3.249	
40 1-1/2"	31.8	193	111	94.5	M8	50		80	1.987	
	1.252	7.598	4.370	3.720		1.968			4.371	
50 2"	38	193	137	107	M8	50		108	2.633	
	1.496	7.598	5.394	4.213		1.968			5.793	

NOTE: 1. 22 HRC MATERIAL HARDNESS TO COMPLY WITH NACE STD MR-0175.

2. ALL MOUNTING PADS ARE NOT TAPPED, BUT HAVE RESERVE HOLES CASTED IN (WITH EXCEPTION OF 3/4" AND 1" WHICH ARE DIMPLED).

PRESSURE-TEMPERATURE RATING



DRAWING NO. LAI0129

REVISION NO. A5