

GREAT SEQUOIA CORP.

3F, NO. 57, FU-HSING NORTH ROAD, TAIPEI, TAIWAN

TEL: 886-2--2771-0164

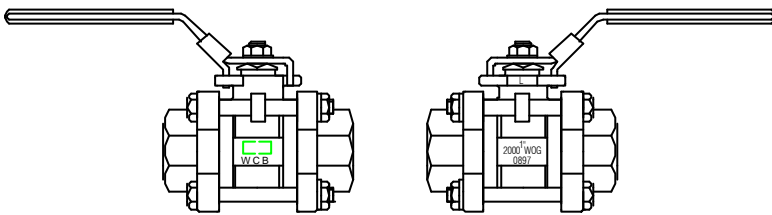
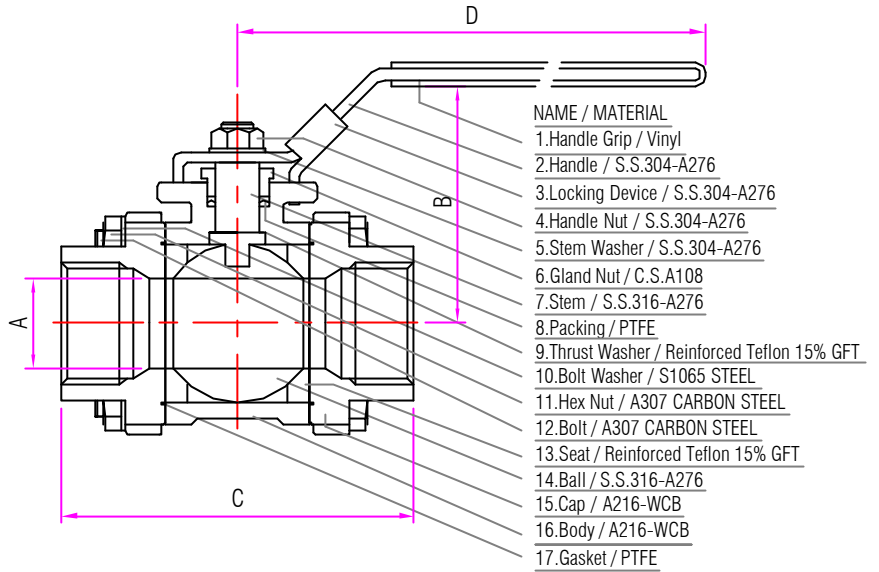
FAX: 886-2--2773-3342

Website: www.sequoia.com.tw

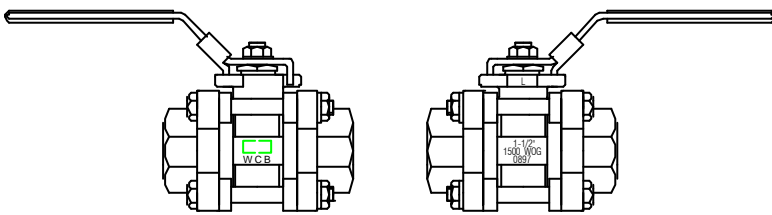
E-MAIL: sequoia@ms10.hinet.net

CSS-F-3

- THREE PIECE BODY
- FULL PORT
- NPT THREADS TO ANSI B1.20.1
- BLOWOUT PROOF STEM
- ADJUSTABLE PACKING NUT
- LOCKING LEVER HANDLE
- READILY ADAPTS TO AUTOMATION
- FLOATING BALL
- 2000 P.S.I. W.O.G. 1/4"-1"
- 1500 P.S.I. W.O.G. 1-1/4"-3"

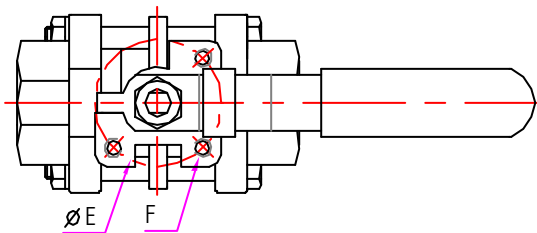


SIZES 1/4" TO 1-1/4" BODY STYLE

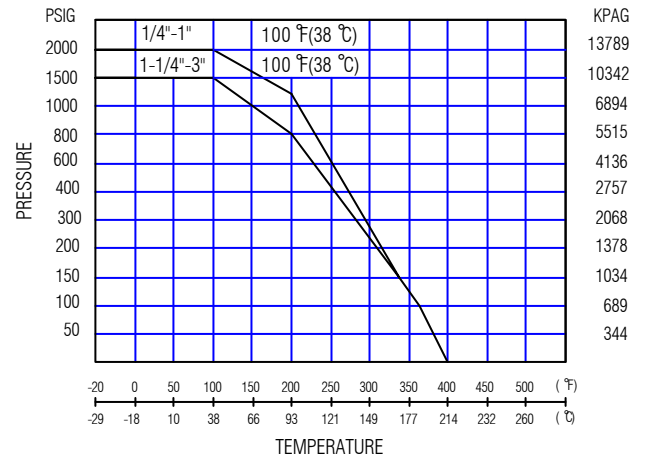


SIZES 1-1/2" TO 3" BODY STYLE

		DIMENSIONS								
SIZE		(mm/in)	(mm/in)	(mm/in)	(mm/in)	(mm/in)	(mm/in)	CV FACTOR	WEIGHTS KGS/LBS	
8	1/4"	9.5	67	60	120	36	M6	10	0.434	
		0.374	2.638	2.362	4.724	1.417			0.955	
10	3/8"	9.5	67	60	120	36	M6	10	0.420	
		0.374	2.638	2.362	4.724	1.417			0.924	
15	1/2"	15	68.5	70	120	36	M6	26	0.620	
		0.591	2.697	2.756	4.724	1.417			1.364	
20	3/4"	20	75	76	139	42	M6	50	0.910	
		0.787	2.953	2.992	5.472	1.653			2.002	
25	1"	25	79	92	139	42	M6	68	1.190	
		0.984	3.110	3.622	5.472	1.653			2.618	
32	1-1/4"	32	88.5	105	193	50	M8	120	1.930	
		1.260	3.484	4.134	7.598	1.968			4.246	
40	1-1/2"	38	94.5	120	193	70	M8	170	2.780	
		1.496	3.720	4.724	7.598	2.756			6.116	
50	2"	50.5	107	138	193	70	M8	360	4.750	
		1.988	4.213	5.433	7.598	2.756			10.450	
65	2-1/2"	65	129.5	170.5	244	102	M8	510	8.630	
		2.559	5.098	6.713	9.606	4.016			18.986	
80	3"	78	139.5	191	244	102	M8	900	13.460	
		3.071	5.492	7.520	9.606	4.016			29.612	



PRESSURE-TEMPERATURE RATING



DRAWING NO. LAI0278

REVISION NO. A0