

GREAT SEQUOIA CORP.

3F, NO. 57, FU-HSING NORTH ROAD, TAIPEI, TAIWAN

TEL: 886-2--2771-0164

FAX: 886-2--2773-3342

Website: www.sequoia.com.tw

E-MAIL: sequoia@ms10.hinet.net

CSS-F-3N

THREE PIECE BODY

FULL PORT

NPT THREADS TO ANSI B1.20.1

NACE MR-01-75

BLOWOUT PROOF STEM

ADJUSTABLE PACKING NUT

LOCKING LEVER HANDLE

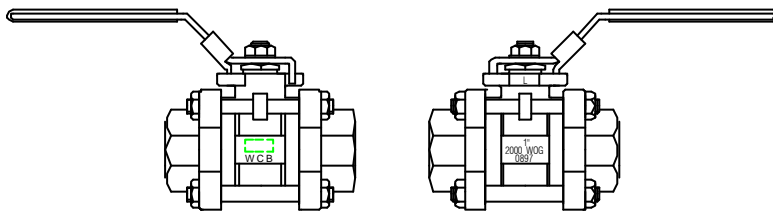
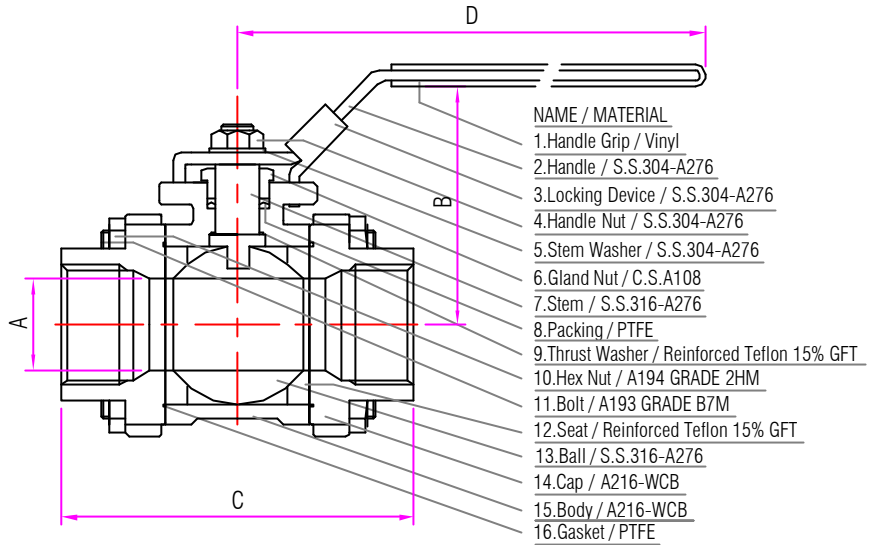
READILY ADAPTS TO

AUTOMATION

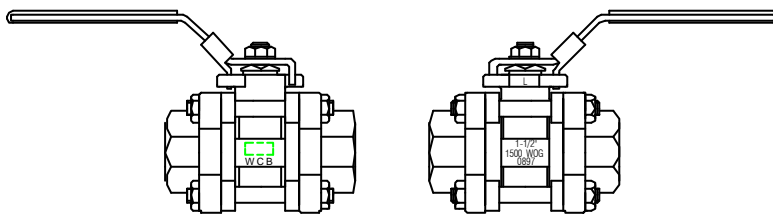
FLOATING BALL

2000 P.S.I. W.O.G. 1/4"-1"

1500 P.S.I. W.O.G. 1-1/4"-3"

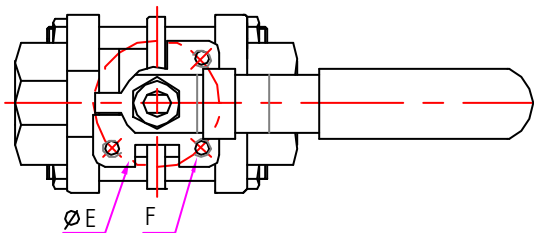


SIZES 1/4" TO 1-1/4" BODY STYLE



SIZES 1-1/2" TO 3" BODY STYLE

SIZE		(mm/in)	(mm/in)	(mm/in)	(mm/in)	(mm/in)	(mm/in)	CV FACTOR	WEIGHTS KGS/LBS
		A	B	C	D	E	F		
8	1/4"	9.5	67	60	120	36	M6	10	0.434
		0.374	2.638	2.362	4.724	1.417			0.955
10	3/8"	9.5	67	60	120	36	M6	10	0.420
		0.374	2.638	2.362	4.724	1.417			0.924
15	1/2"	15	68.5	70	120	36	M6	26	0.620
		0.591	2.697	2.756	4.724	1.417			1.364
20	3/4"	20	75	76	139	42	M6	50	0.910
		0.787	2.953	2.992	5.472	1.653			2.002
25	1"	25	79	92	139	42	M6	68	1.190
		0.984	3.110	3.622	5.472	1.653			2.618
32	1-1/4"	32	88.5	105	193	50	M8	120	1.930
		1.260	3.484	4.134	7.598	1.968			4.246
40	1-1/2"	38	94.5	120	193	70	M8	170	2.780
		1.496	3.720	4.724	7.598	2.756			6.116
50	2"	50.5	107	138	193	70	M8	360	4.750
		1.988	4.213	5.433	7.598	2.756			10.450
65	2-1/2"	65	129.5	170.5	244	102	M8	510	8.630
		2.559	5.098	6.713	9.606	4.016			18.986
80	3"	78	139.5	191	244	102	M8	900	13.460
		3.071	5.492	7.520	9.606	4.016			29.612



DRAWING NO. LAI0439

REVISION NO. A0

PRESSURE-TEMPERATURE RATING

