

GREAT SEQUOIA CORP.

3F, NO. 57, FU-HSING NORTH ROAD, TAIPEI, TAIWAN

TEL: 886-2--2771-0164

FAX: 886-2--2773-3342

Website: www.sequoia.com.tw

E-MAIL: sequoia@ms10.hinet.net

CSS-F-3N-BW

THREE PIECE BODY

FULL PORT

BUTT-WELD ENDS TO ANSI B16.25

NACE MR-01-75

BLOWOUT PROOF STEM

ADJUSTABLE PACKING NUT

LOCKING LEVER HANDLE

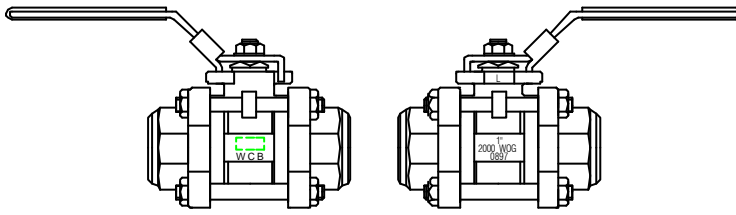
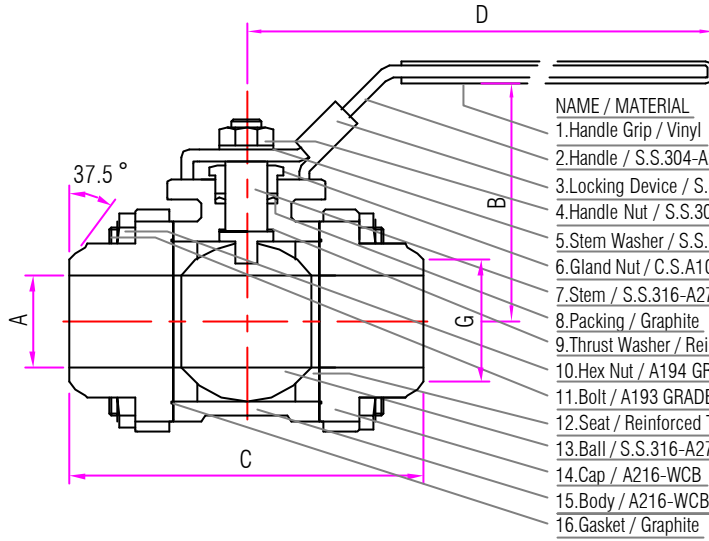
READILY ADAPTS TO

AUTOMATION

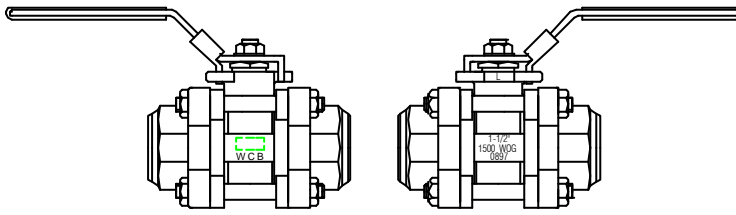
FLOATING BALL

2000 P.S.I. W.O.G. 1/4"-1"

1500 P.S.I. W.O.G. 1-1/4"-3"

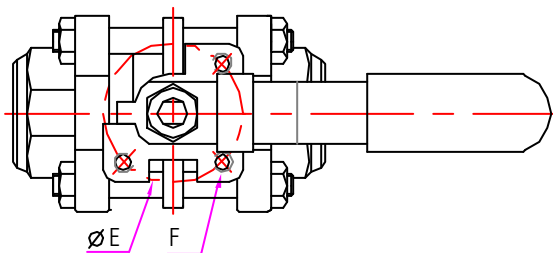


SIZES 1/4" TO 1-1/4" BODY STYLE

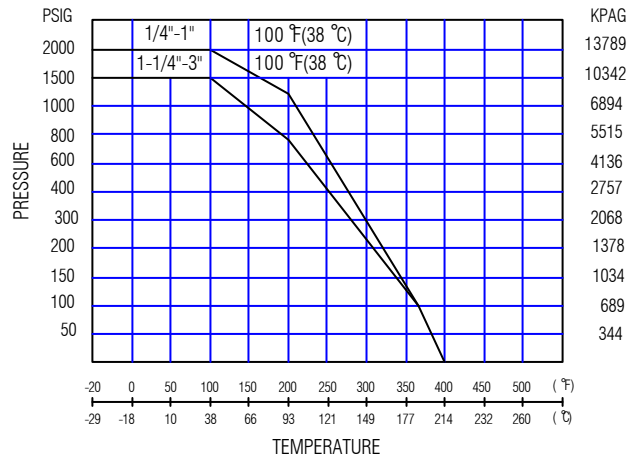


SIZES 1-1/2" TO 3" BODY STYLE

DIMENSIONS									
SIZE	(mm/in)	(mm/in)	(mm/in)	(mm/in)	(mm/in)	(mm/in)	(mm/in)	CV FACTOR	WEIGHTS KGS/LBS
	A	B	C	D	E	F	G		
8 1/4"	9.5	67	60	120	36	M6	15.5	10	0.440
	0.374	2.638	2.362	4.724	1.417		0.610		0.968
10 3/8"	9.5	67	60	120	36	M6	18	10	0.430
	0.374	2.638	2.362	4.724	1.417		0.709		0.946
15 1/2"	15	68.5	70	120	36	M6	22	26	0.630
	0.591	2.697	2.756	4.724	1.417		0.866		1.386
20 3/4"	20	75	76	139	42	M6	28	50	0.924
	0.787	2.953	2.992	5.472	1.653		1.102		2.033
25 1"	25	79	92	139	42	M6	33.5	68	1.210
	0.984	3.110	3.622	5.472	1.653		1.319		2.662
32 1-1/4"	32	88.5	105	193	50	M8	41	120	1.940
	1.260	3.484	4.134	7.598	1.968		1.614		2.068
40 1-1/2"	38	94.5	120	193	70	M8	49	170	2.811
	1.496	3.720	4.724	7.598	2.756		1.929		6.184
50 2"	50.5	107	138	193	70	M8	61.0	360	4.783
	1.988	4.213	5.433	7.598	2.756		2.402		10.523
65 2-1/2"	65	129.5	170.5	244	102	M8	76	510	8.700
	2.559	5.098	6.713	9.606	4.016		2.992		19.140
80 3"	78	139.5	191	244	102	M8	89	900	13.505
	3.071	5.492	7.520	9.606	4.016		3.504		29.711



PRESSURE-TEMPERATURE RATING



DRAWING NO. LAI0441

REVISION NO. A1