

GREAT SEQUOIA CORP.

3F, NO. 57, FU-HSING NORTH ROAD, TAIPEI, TAIWAN

TEL: 886-2--2771-0164

FAX: 886-2--2773-3342

Website: www.sequoia.com.tw

E-MAIL: sequoia@ms10.hinet.net

CSS-F-3N-SW

THREE PIECE BODY

FULL PORT

SOCKET WELD ENDS TO ANSI B16.11

NACE MR-01-75

BLOWOUT PROOF STEM

ADJUSTABLE PACKING NUT

LOCKING LEVER HANDLE

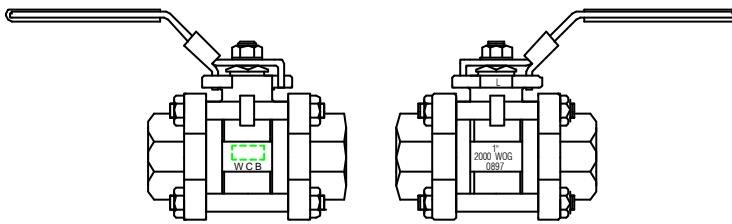
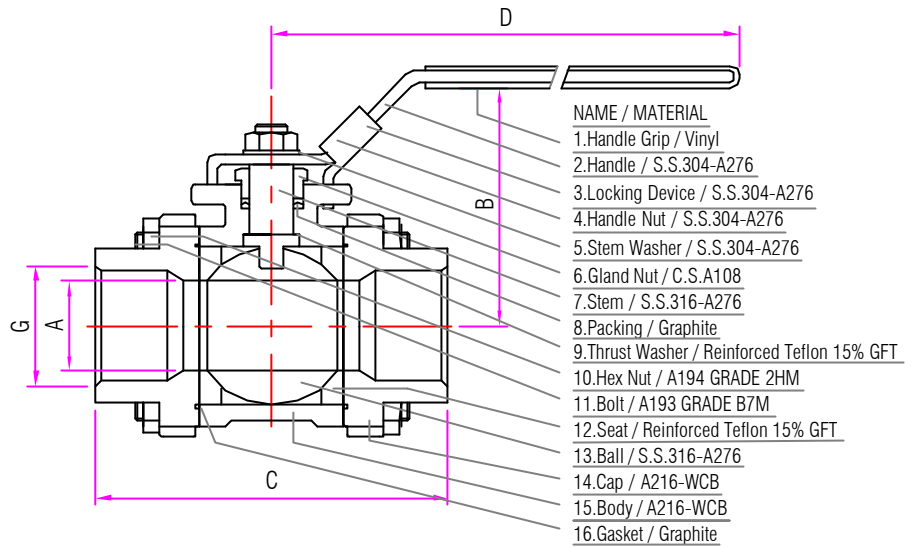
READILY ADAPTS TO

AUTOMATION

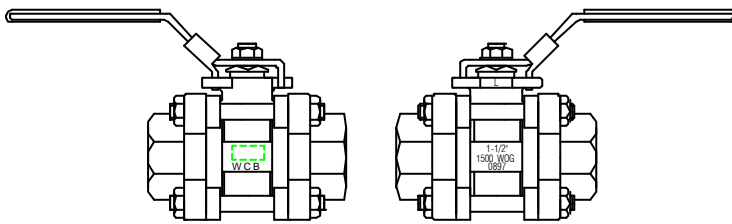
FLOATING BALL

2000 P.S.I. W.O.G. 1/4"-1"

1500 P.S.I. W.O.G. 1-1/4"-3"

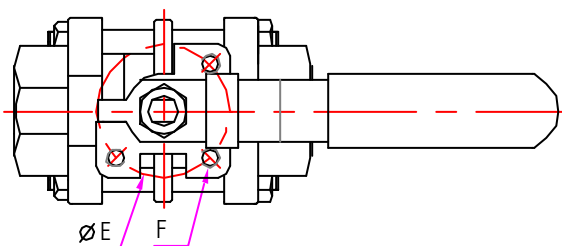


SIZES 1/4" TO 1-1/4" BODY STYLE



SIZES 1-1/2" TO 3" BODY STYLE

DIMENSIONS									
SIZE	(mm/in)	(mm/in)	(mm/in)	(mm/in)	(mm/in)	(mm/in)	(mm/in)	CV FACTOR	WEIGHTS KGS/LBS
	A	B	C	D	E	F	G		
8 1/4"	9.5	67	60	120	36	M6	14.2	10	0.415
	0.374	2.638	2.362	4.724	1.417		0.559		0.913
10 3/8"	9.5	67	60	120	36	M6	17.6	10	0.400
	0.374	2.638	2.362	4.724	1.417		0.693		0.880
15 1/2"	15	68.5	70	120	36	M6	21.7	26	0.600
	0.591	2.697	2.756	4.724	1.417		0.854		1.320
20 3/4"	20	75	76	139	42	M6	27.1	50	0.880
	0.787	2.953	2.992	5.472	1.653		1.067		1.936
25 1"	25	79	92	139	42	M6	33.8	68	1.150
	0.984	3.110	3.622	5.472	1.653		1.330		2.530
32 1-1/4"	32	88.5	105	193	50	M8	42.6	120	1.870
	1.260	3.484	4.134	7.598	1.968		1.677		4.114
40 1-1/2"	38	94.5	120	193	70	M8	48.7	170	2.670
	1.496	3.720	4.724	7.598	2.756		1.917		5.874
50 2"	50.5	107	138	193	70	M8	61.0	360	4.620
	1.988	4.213	5.433	7.598	2.756		2.402		10.164
65 2-1/2"	65	129.5	170.5	244	102	M8	73.8	510	8.250
	2.559	5.098	6.713	9.606	4.016		2.906		18.150
80 3"	78	139.5	191	244	102	M8	90.0	900	13.000
	3.071	5.492	7.520	9.606	4.016		3.543		28.600



DRAWING NO. LAI0440

REVISION NO. A0

PRESSURE-TEMPERATURE RATING

